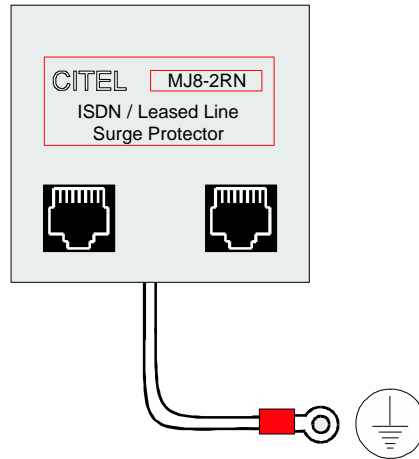


ISDN / Leased Lines Surge Protector MJ8 - 2RN



Citel MJ8 - 2RN has been designed to protect your ISDN / Leased line equipment from lightning surges and electrical transients. It uses a heavy duty multi-stage design it allows the protector to reset after every strike.

This small user friendly protector attaches directly to your equipment. It comes with a grounding strap and drop cable to go from the protector to your equipment via RJ45 jacks.

- ◆ **CITEL MJ8-2RN** is used for **ISDN Basic Rate** or **Leased Lines**.
- ◆ For **Multi-Circuit Applications** use our plug-in module **E280 - 48V** with one of the Citel bases.
- ◆ For **Primary Rate ISDN Applications**, use our module **E280 - 48DBC**.



Ultra fast response time - less than 1 ns



Multi-stage circuitry



I/O connections made with RJ45 jacks.

Electrical Specifications

MJ8 - 2RN

	MJ8 - 2RN
Application:	ISDN Basic Rate / Leased Lines
Series Resistance:	4.7 Ω
Capacitance:	300 pF
Maximum Line Current:	200 mA
Maximum Line Voltage:	48 V
Clamping Voltage:	62 V
Insertion Loss: @ 2 Mbps	0.1 dB
Power Handling: (8/20μs- 10 x's)	10 kA

Mechanical Dimensions

Dimensions	2.25" x 2.25" x 0.75"
Weight	3.5 oz.
Mounting	A velcro is placed in the back of the module to stick against the case of your equipment.
Connection	RJ45 jacks
Pins Protected	3, 6, 4, 5.