

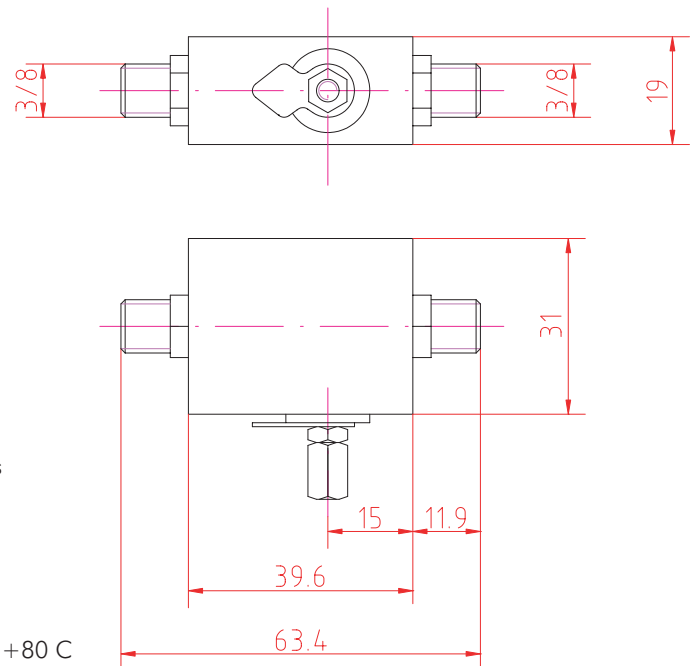
# Citel Coaxial Surge Protection: CXP09NWFFDCB



- DC Blocked
- Multiple Strikes
- Low Insertion Loss

The CXP09NWFFDCB has been designed to protect radio-base communications systems from lightning and electrical transients. This device is a dc blocked protector not to be used where transmitter combining is performed.

## Dimensions (mm)



## Technical Specifications:

● Frequency Range:	125-1000 MHz
● Mounting	Bulkhead with option of flange
● Protector Side Connector	N Female 50 ohms
● Surge Side Connector	N Female 50 ohms
● Unit Impedance	50 ohms
● Insertion Loss	0.15 db
● Protected Side Isolation	No
● Sampling Port	No
● Throughput Energy	5kA @ 8/20 micro seconds
● Throughput Voltage	N/A
● Turn On Voltage	+/- 600 Volts @ 1kV/ micro seconds
● Voltage Stand Wave Ratio	1.2:1

## Materials:

● Housing: Copper alloy With CuZnSn finish	Weight: 158g
● Contact: Gold plated copper alloy	Operating Temp: -40 - +80 C
● Insulation: Teflon	