

Single-phase AC surge protector boxes

MSB-HF - MSB



These surge protector units are designed to protect a single-phase input and are recommended for mounting on a board or in a utility box.

The line lets you choose a product by housing (metal or plastic), dimensions, performance, connection mode (series or parallel), or type of connection (wires or screw terminal block).

MSB-HF:

Metal box with output by wires, with 3-stage protection:

- Gas discharge tube stage for a high discharge current capacity.
- RFI filtering stage to limit RF interference.
- Clamping stage for a response time under 5ns.

Operation displayed on two check lights:

- Correct functioning of the protection circuit (green light)
- Connection of the surge protector to the installation's grounding network (orange light).

MSB:

Simplified version of the MSB HF with a 1-stage surge protection, connected to the network in parallel.

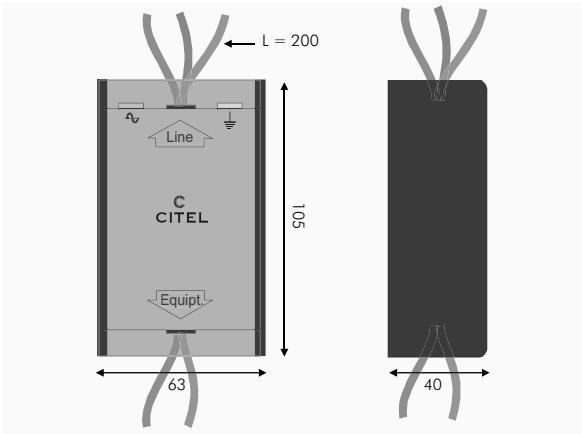
- "Surge protector + Filter" version
- Operating and grounding indicators

Single-phase AC surge protector boxes

MSB-HF - MSB

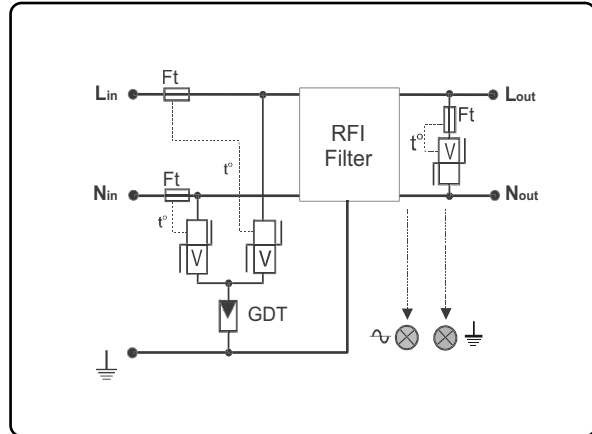
Dimensions (in mm)

MSB-HF

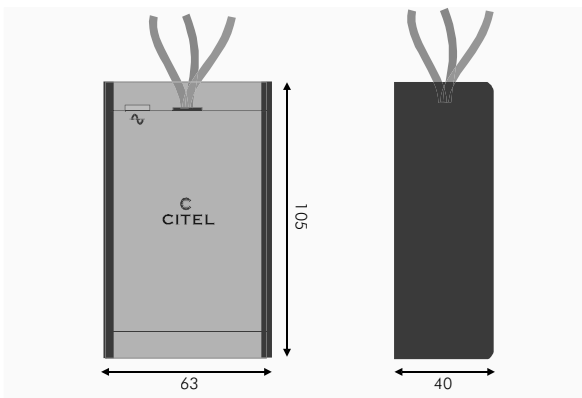


Electrical diagrams

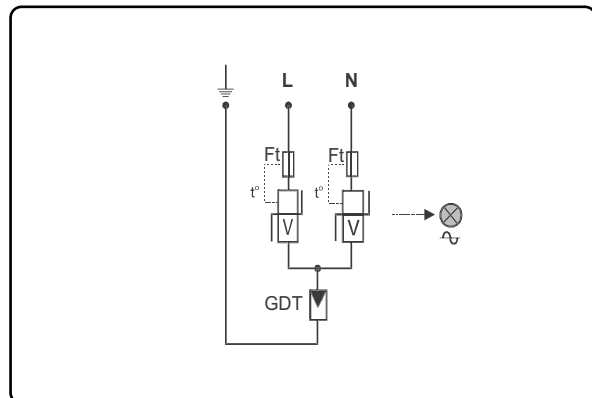
MSB-HF



MSB..



MSB..



Characteristics

CITEL part number	MSB-230HF	MSB-130HF	MSB-230	MSB-130
Nominal voltage Un	230 V	110-130 V	230 V	110-130 V
Maximum voltage Uc	250 V	150 V	250 V	150 V
Maximum line current	16 A	16 A	-	-
Protection level Up	0,9 kV	0,6 kV	1,5 kV	1 kV
Max. discharge current I _{max} (1 x 8/20μs impulse)	10 kA	10 kA	10 kA	10 kA
Nominal discharge current I _n (20 x 8/20μs impulses)	3 kA	3 kA	3 kA	3 kA
RFI filtering	0,1-30 MHz	0,1-30 MHz	without	without
Attenuation at 0,3 MHz	25 dB	25 dB	-	-
Attenuation at 1 MHz	30 dB	30 dB	-	-
Attenuation at 10 MHz	40 dB	40 dB	-	-
Safety disconnection	disconnection and interruption of power supply	disconnection and interruption of power supply	disconnection and interruption of power supply	disconnection and interruption of power supply
Disconnection indicator	interruption of power supply, green neon off	interruption of power supply, green neon off	green neon off	green neon off
Ground disconnection indicator	orange neon off	none	none	none