

CXF60-N Series



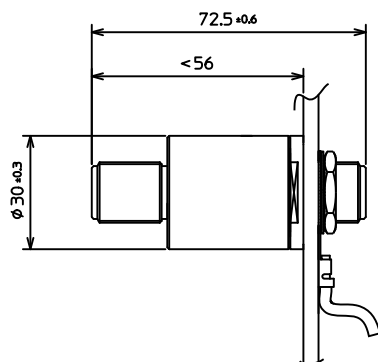
The CXF60-N Series universal coaxial surge protector is designed to protect Harris/Stratex Network's Truepoint and Eclipse Radios.

The CXF60-N Series employs multi-stage circuitry that offers an ultra-sharp clamping that eliminates transients.

Insertion/Return Loss

Frequency Range	Return Loss	Insertion Loss
3.0 Mhz to 5 Mhz	≥25 dB	≤1.0 dB
5 Mhz to 25 Mhz	≥25 dB	≤1.0 dB
45 Mhz to 190 Mhz	≥25 dB	≤0.5 dB
261 Mhz to 400 Mhz	≥25 dB	≤0.5 dB
400 Mhz to 500 Mhz	≥18 dB	≤0.5 dB

Mechanical Dimensions



Ordering information

CXF60-N/___

Gender type:
MF: Male/Female Bulkhead
FF: Female/Female Bulkhead

Low Frequency Coaxial Surge Protection

- 4kA IEC 61000-4-5 (8/20μs)
- 6A DC Continuous
- 42W rms Max Input Power
- 20 to 60VDC (any polarity) user voltage
- RoHS 6 Compliant
- Bi-directional, series installed
- Waterproof

Applications

- Truepoint Radio
- Eclipse Radio

Specifications

Citel Model	CXF60-N Series
Max Input Power	42W rms
Nominal Impedance	50 Ohms
User Current	6.0A DC Continuous
User Voltage	20 to 60 VDC any polarity
DC Turn-On Voltage	70 VDC Maximum
Turn-on Time	4nS for 25V/nS
Max Surge	4kA IEC 61000-4-5 (8/20μs waveform)
IEC Standard	Meets IEC Standard 60529 IP67
Operating Temp.	-50 °C to +85 °C
Humidity	5- 95% non-condensing internal, up to 100% external
Bellcore Standard	TA-NWT-000487 procedure 4.11
RoHS Compliance	RoHS 6 Compliant
Connection Method	Series (Bi-Directional)
Connectors	N-Male to N-Female Bulkhead & N-Female to N-Female Bulkhead
Grounding	Crimping style grounding ring
Dimensions (inches)	See Installation Instruction Sheet